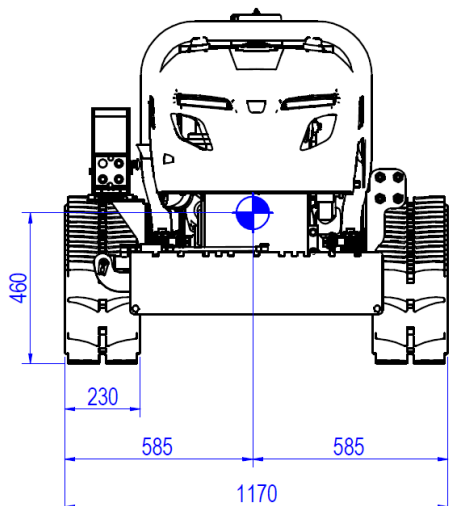
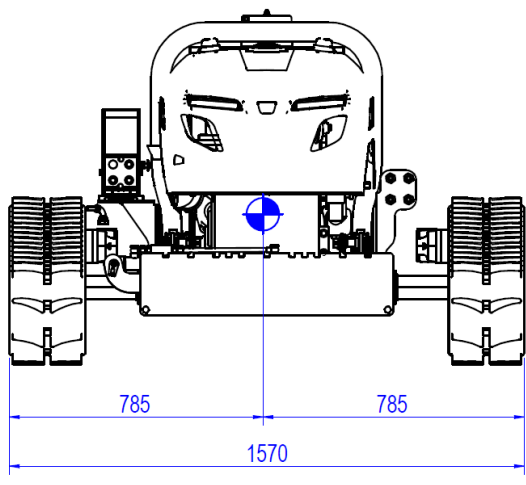
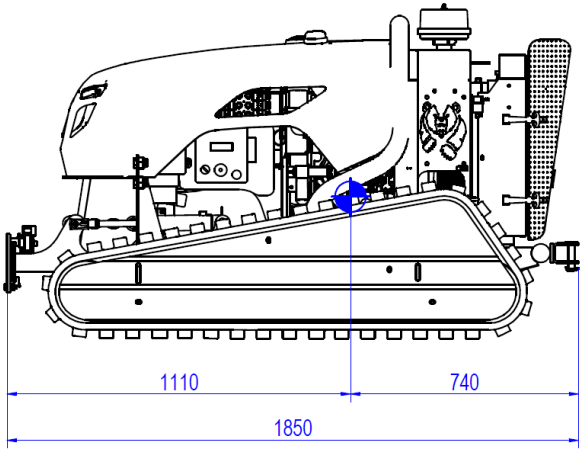


Specifiche Green Climber LV400pro – MDBsrl

	<p>ENGINE</p> <p>Make Yanmar</p> <p>Cylinders 3</p> <p>Displacement 1600cc</p> <p>Fuel Diesel</p> <p>Cooling system liquid</p> <p>Max Power (CV) 40/29</p> <p>Engine max rpm (giri/min.) 3.000</p> <p>max torque 103@1.800 (Nm@rpm/min)</p> <p>Emission regulation (Tier) III A</p> <p>Fuel tank (L) 22</p>	
	<p>TRANSMISSION</p> <p>Type Hydrostatic</p> <p>Gear (n.) Electronic CVT</p> <p>Speed min - max (km/hour) 0 - 9</p> <p>Hydraulic tank (L) 35</p> <p>Max flow (L/min) 63</p> <p>attachments pump</p>	
	<p>REMOTE CONTROL</p> <p>Remote control range (m) 150</p> <p>Frequency (GHz) 2.4</p>	
	<p>WEIGHT/ DIMENSION</p> <p>Long (mm) 1.850</p> <p>Height (mm) 1.040</p> <p>Width min-max (mm) 1170 - 1570</p> <p>Max gradient 60 degrees in any direction</p> <p>Weight (kg) 940</p>	